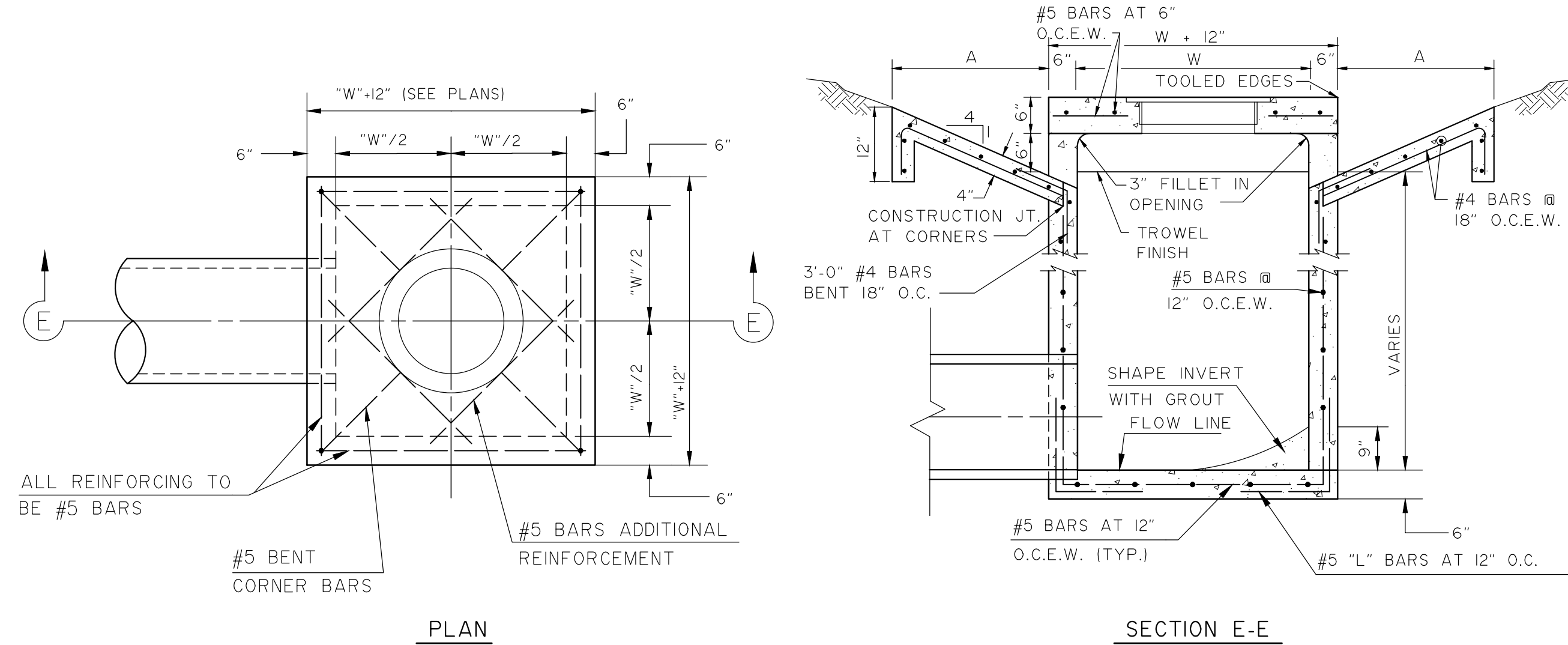


GENERAL NOTES

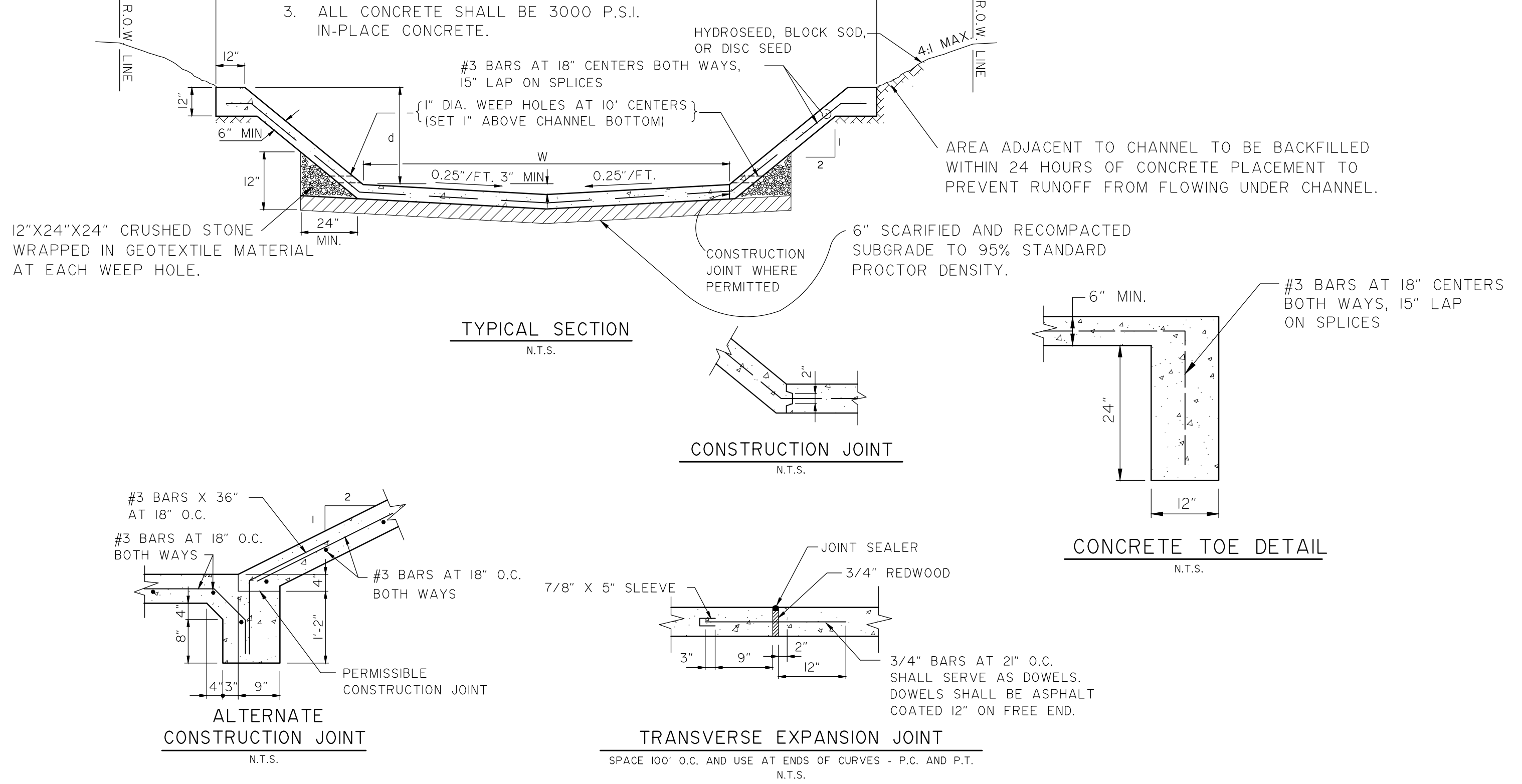
1. ALL REINFORCING STEEL SHALL BE NEW BILLET STEEL CONFORMING TO ASTM A-615.
2. ALL CONCRETE SHALL BE CLASS "A" (5 BAGS OF CEMENT PER C.Y. & A MINIMUM COMPRESSIVE STRENGTH OF 3000 P.S.I. AT 28 DAYS). ALL CORNERS SHALL BE CHAMFERED 3/4".
3. ALL REINFORCING STEEL SHALL HAVE A MINIMUM COVER OF 2".
4. SEE CURB INLET DETAIL SHEET FOR MANHOLE RING AND COVER DETAILS.
5. ALL STORM SEWERS WITHIN THE EAGLE FORD GROUP SHALL BE LOCATED OUTSIDE OF PAVEMENT IN ACCORDANCE WITH THE REQUIREMENTS CONTAINED IN THE SPECIAL DESIGN AND CONSTRUCTION STANDARDS FOR THE EAGLE FORD GROUP.
6. EMBEDMENT AND BACKFILL OF STORM SEWERS WITHIN THE EAGLE FORD GROUP SHALL BE IN ACCORDANCE WITH THE REQUIREMENTS CONTAINED IN THE SPECIAL DESIGN AND CONSTRUCTION STANDARDS FOR THE EAGLE FORD GROUP.

INLET SIZE	W	A
2' SQUARE	2'-0"	2'-0"
4' SQUARE	4'-0"	3'-0"
5' SQUARE	5'-0"	4'-0"
6' SQUARE	6'-0"	4'-0"



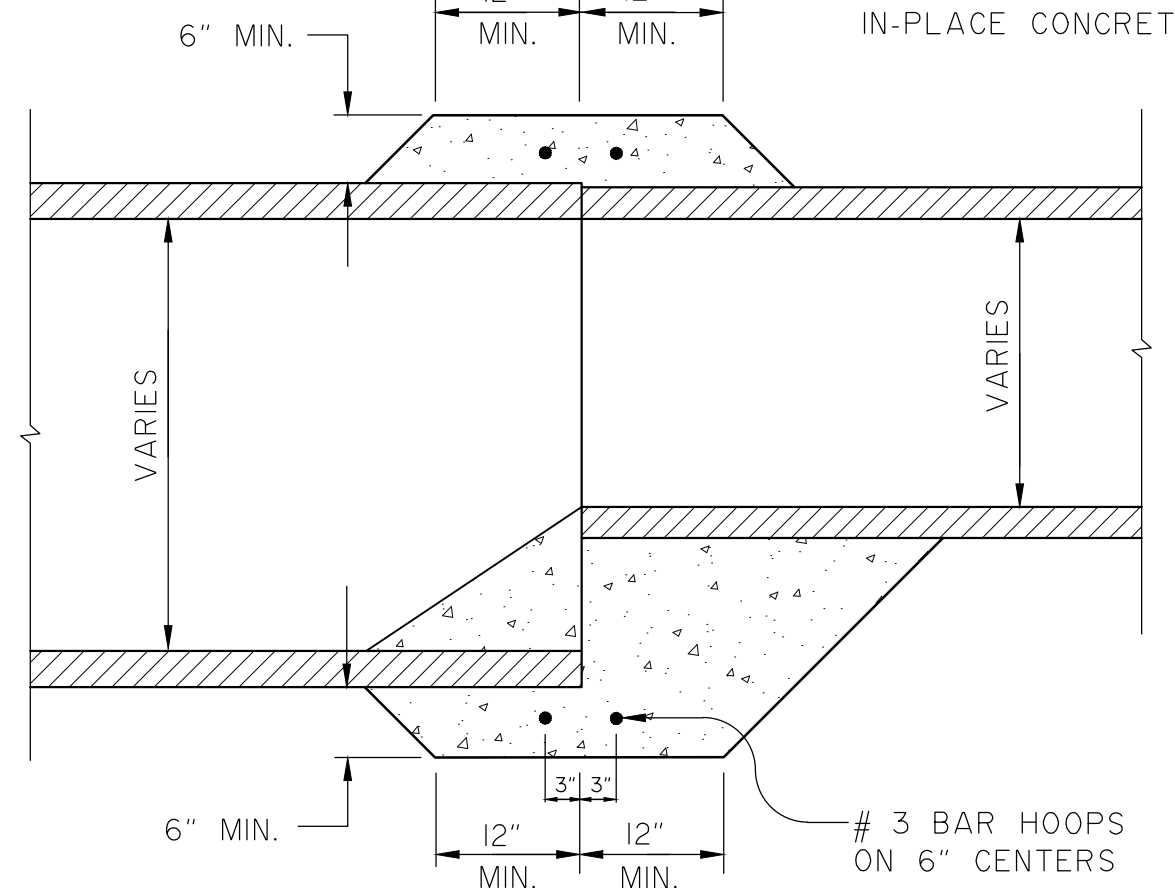
1 STANDARD TYPE WYE INLET
N.T.S.

- NOTES:**
1. FILL AREAS SHALL BE COMPACTED IN 8" LIFTS TO 95% STD. PROCTOR DENSITY AT OPTIMUM MOISTURE CONTENT PRIOR TO CHANNEL EXCAVATION.
 2. 24" DEEP X 12" THICK TOE SHALL BE CONSTRUCTED ON UPSTREAM AND DOWNSTREAM ENDS OF CHANNEL.
 3. ALL CONCRETE SHALL BE 3000 P.S.I. IN-PLACE CONCRETE.

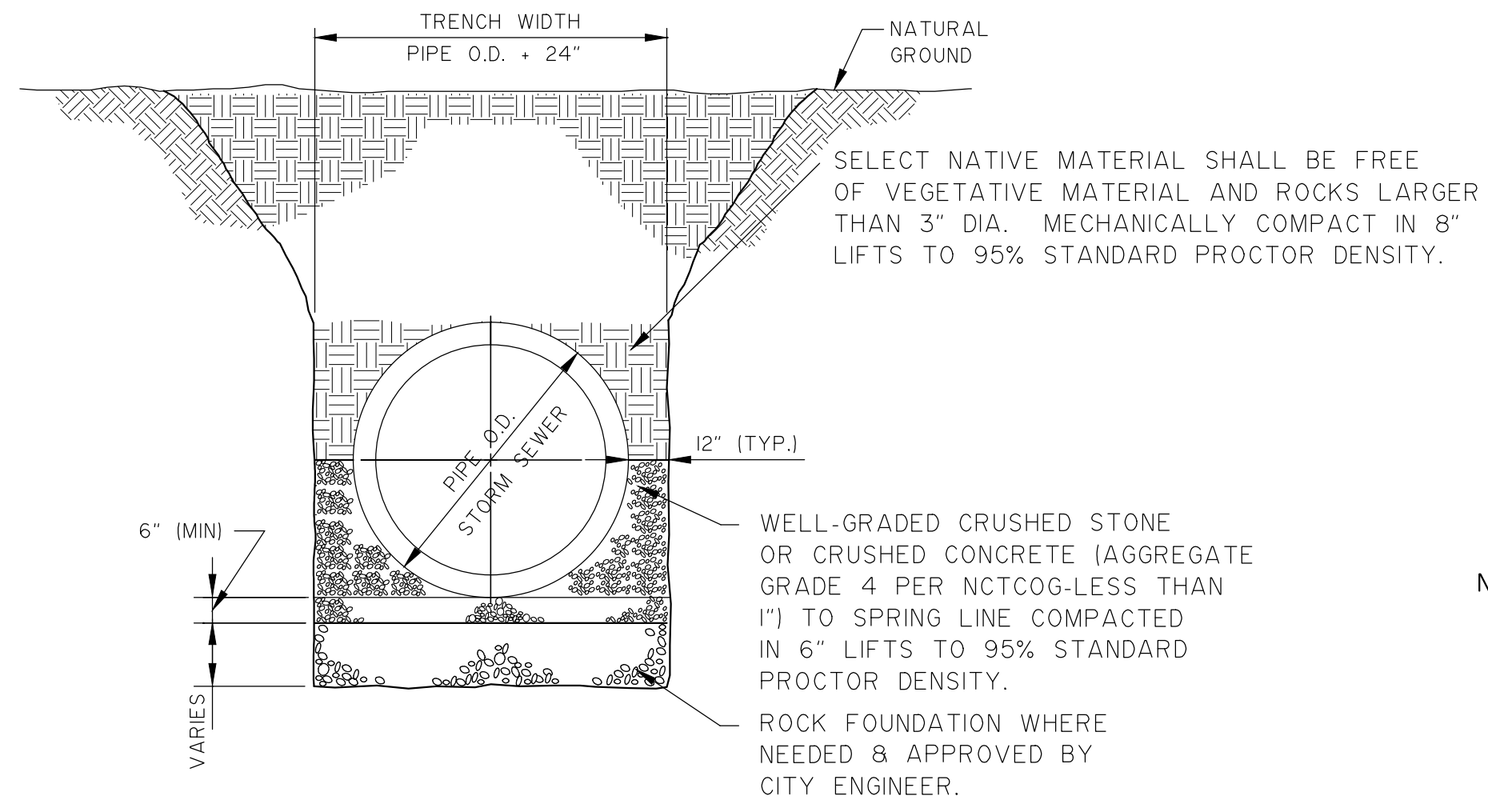


2 REINFORCED CONCRETE LINED CHANNEL
N.T.S.

- NOTES:**
1. CONCRETE COLLAR WILL NOT BE PAID FOR DIRECTLY, BUT WILL BE CONSIDERED SUBSIDIARY TO STORM DRAIN.
 2. PRECAST COLLARS MAY BE USED IN LIEU OF IN-PLACE CONCRETE.



3 PIPE COLLAR DETAIL
N.T.S.



4 RIGID PIPE TRENCHING, EMBEDMENT, AND BACKFILL DETAIL
N.T.S.

NOTE: THIS IS SHT. SD-II OF THE STANDARD CONSTRUCTION DETAILS, ORDINANCE NO. 2013-51 EFFECTIVE DATE: JANUARY 1, 2014

*CITY OF MIDLOTHIAN, TEXAS
DEPARTMENT OF ENGINEERING,
UTILITIES, AND PUBLIC WORKS*

**STANDARD CONSTRUCTION DETAILS
STORM DRAINAGE**

**WYE INLET, CONCRETE CHANNEL,
& RIGID PIPE DETAILS**

NO.	REVISION:	DATE:	SHEET:
			SD-II

