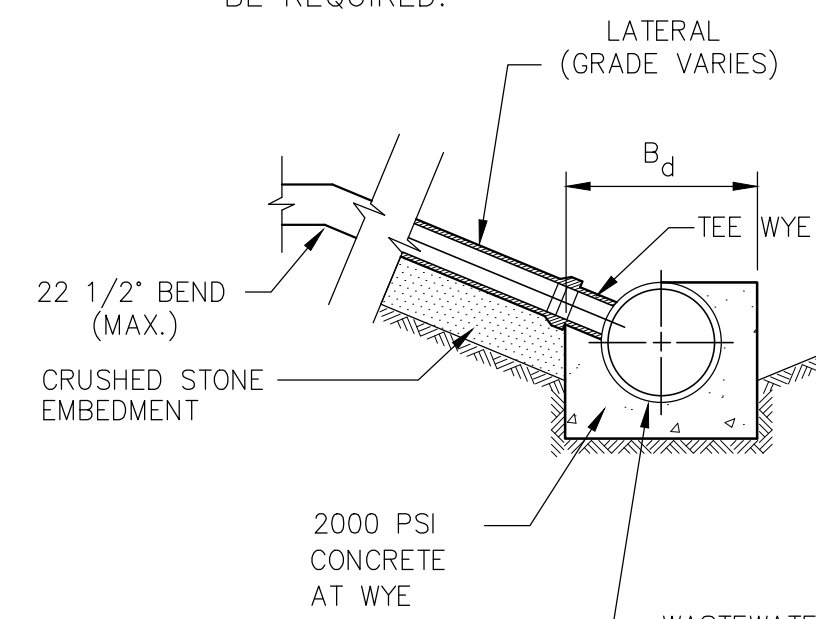


SEWER SERVICE CLEANOUT FRAME AND COVER

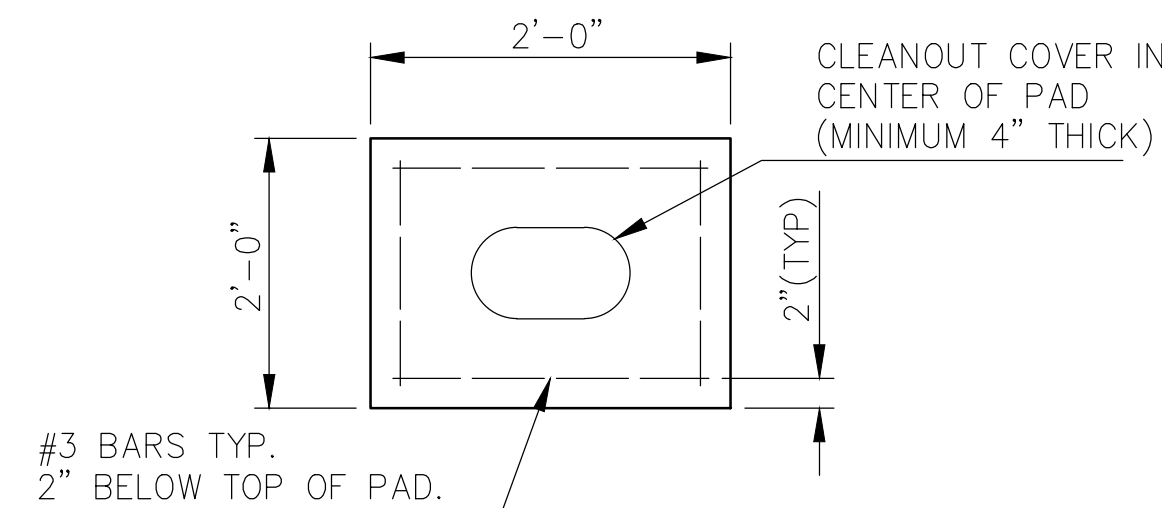
- NOTES:
1. THE WORDS "SEWER LATERAL CLEANOUT" SHALL BE CAST INTO TOP OF COVER.
 2. MATERIALS TO BE CAST IRON.

- NOTES:
1. WYE SHALL BE SUPPORTED AS SHOWN FOR WYE CONNECTION SUPPORT.
 2. LATERALS ARE TO CLEAR ALL EXISTING UTILITIES. 11 1/4" OR 22 1/2" BEND, ONLY, MAY BE REQUIRED.

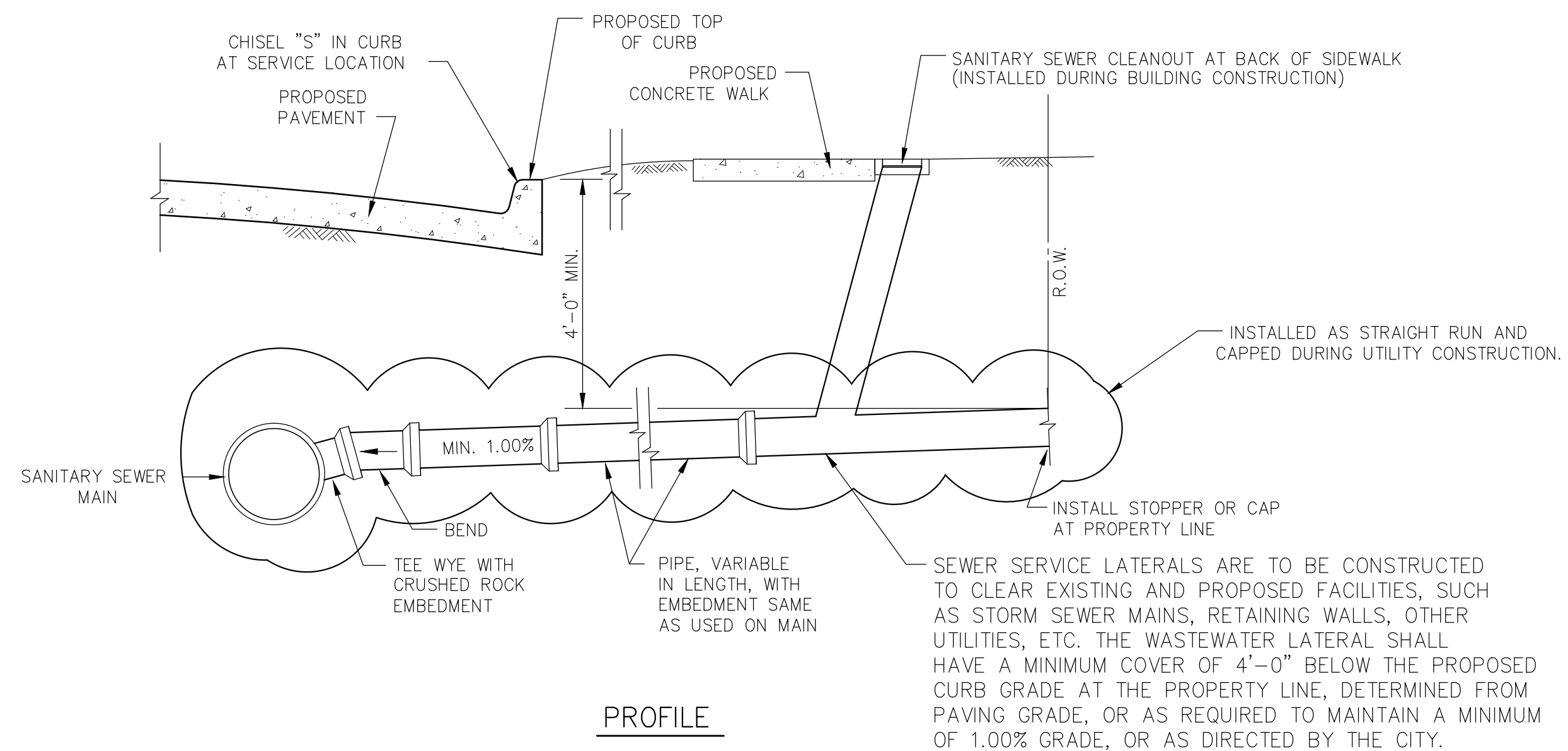


TRENCH WITH SLOPING SIDES

- NOTES:
1. PADS SHALL BE INSTALLED AT FINISHED GRADE. SLOPE CONCRETE PAD SURFACE SLIGHTLY AWAY FROM LID.
 2. PADS ARE REQUIRED FOR ALL NON-PAVED AREAS. BROOM FINISH ALL PADS.



TOP VIEW - CONCRETE PAD



NOTE: THIS IS SHT. SD-23 OF THE STANDARD CONSTRUCTION DETAILS, ORDINANCE NO. 2013-51 EFFECTIVE DATE: JANUARY 1, 2014

CITY OF MIDLOTHIAN, TEXAS DEPARTMENT OF ENGINEERING, UTILITIES, AND PUBLIC WORKS			
STANDARD CONSTRUCTION DETAILS SANITARY SEWER			
SANITARY SEWER CLEANOUT & SERVICE DETAILS			
NO:	REVISION:	DATE:	SHEET:
			SD-23

1 TYPICAL SANITARY SEWER SERVICE

