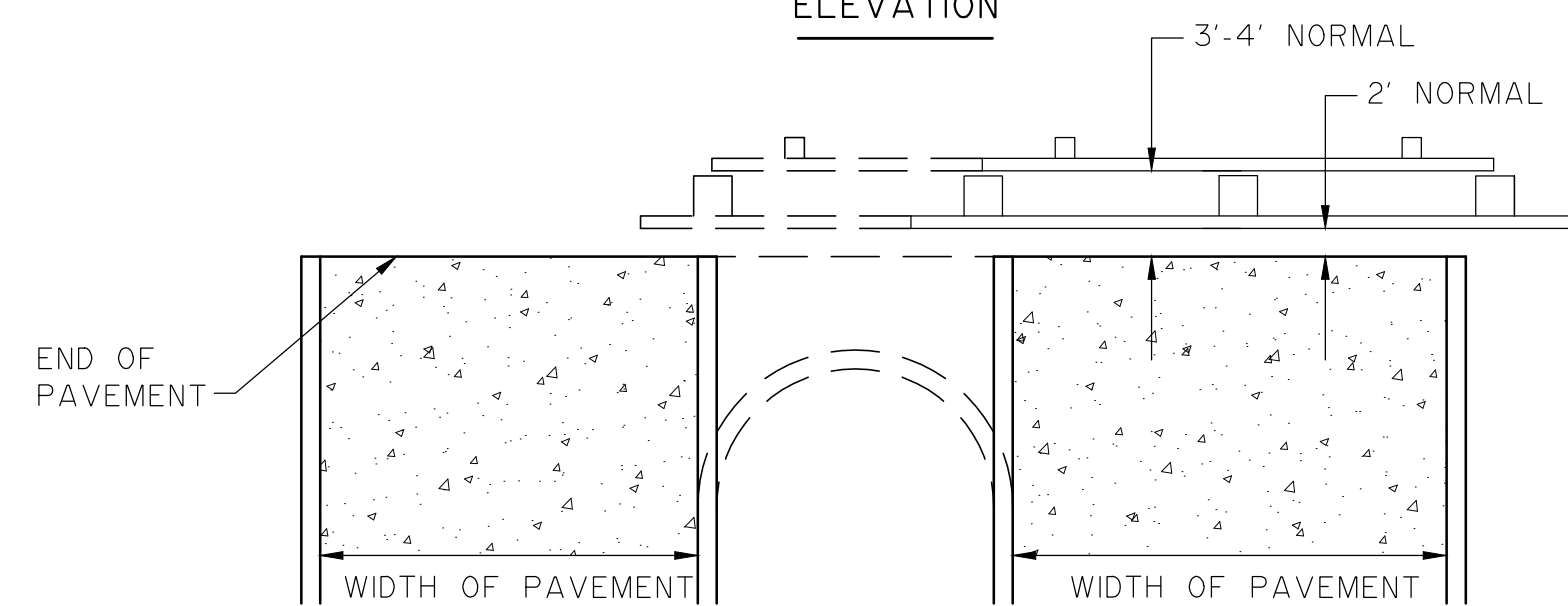
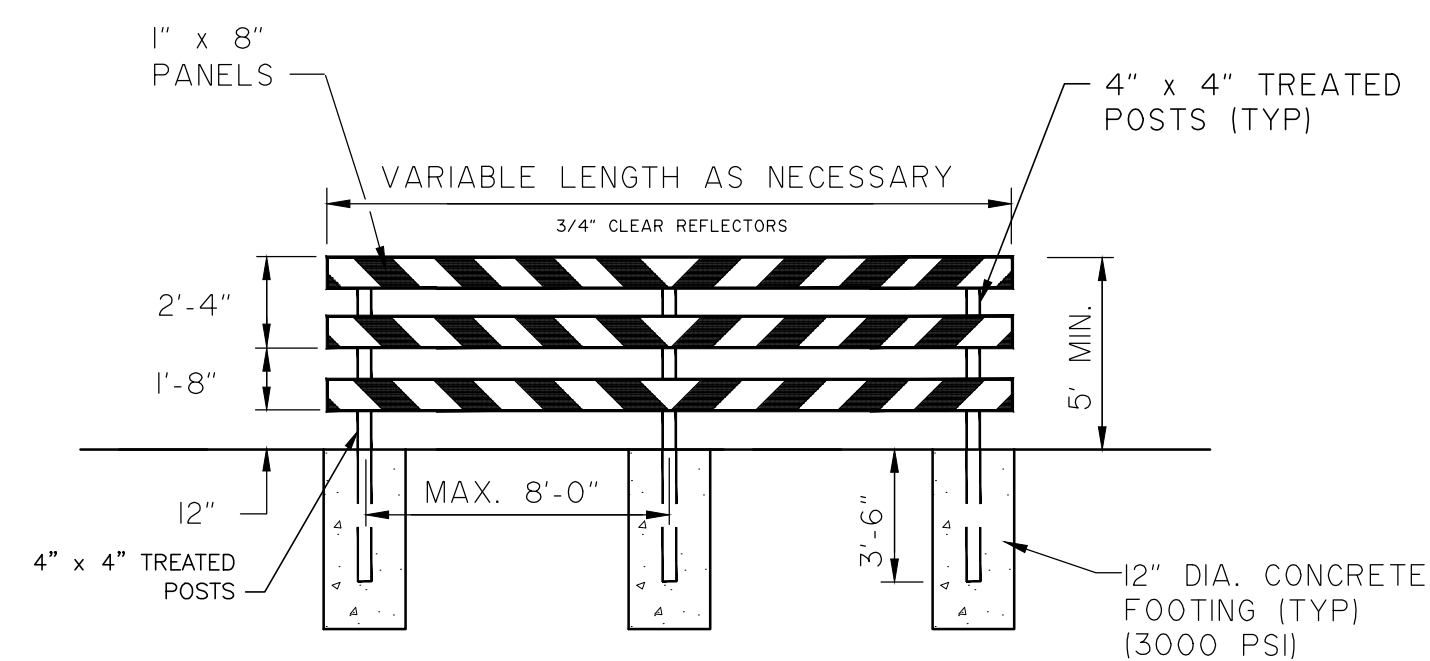


ELEVATION



PLAN

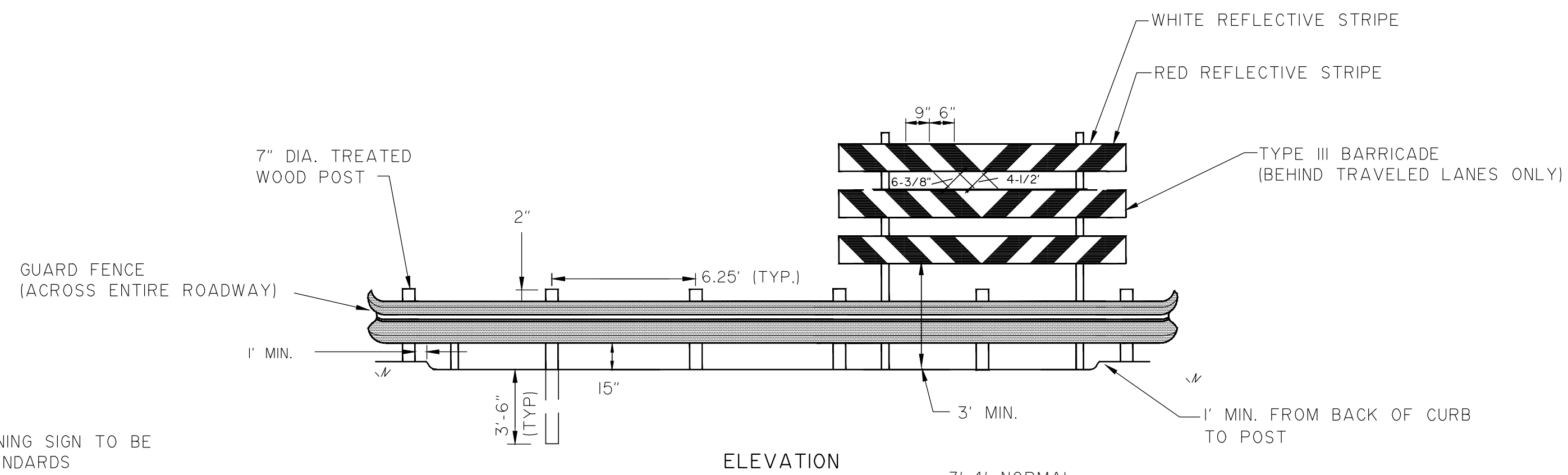
DEAD END BARRICADE STANDARD DIVIDED ROADWAY
1 N.T.S.



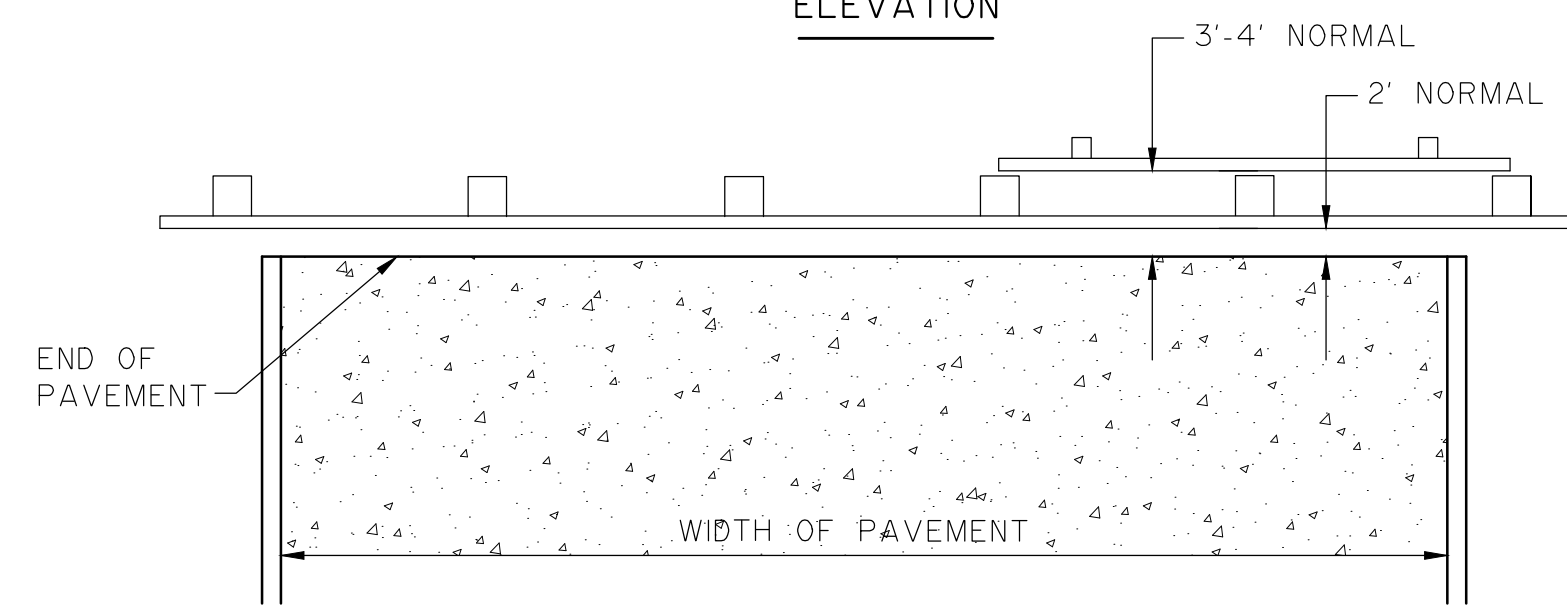
ELEVATION

3 TYPE III BARRICADE
N.T.S.

- NOTES:
1. "DEAD END" ADVANCE WARNING SIGN TO BE INSTALLED PER MUTCD STANDARDS
 2. GUARD FENCE EMBEDDED 3-1/2 FT. IN NATIVE EARTH (SET IN CONCRETE)
 3. GUARD FENCE SHALL BE STEEL "W" SECTION, 10 GAUGE
 4. CONNECTIONS SHALL BE MADE WITH 5/8" DIA. BOLTS, APPROXIMATELY 9" LONG
 5. AREAS RECEIVING SURFACE WATER RUNOFF SHALL BE PROTECTED BY THE INSTALLATION OF GROUTED ROCK RUBBLE.

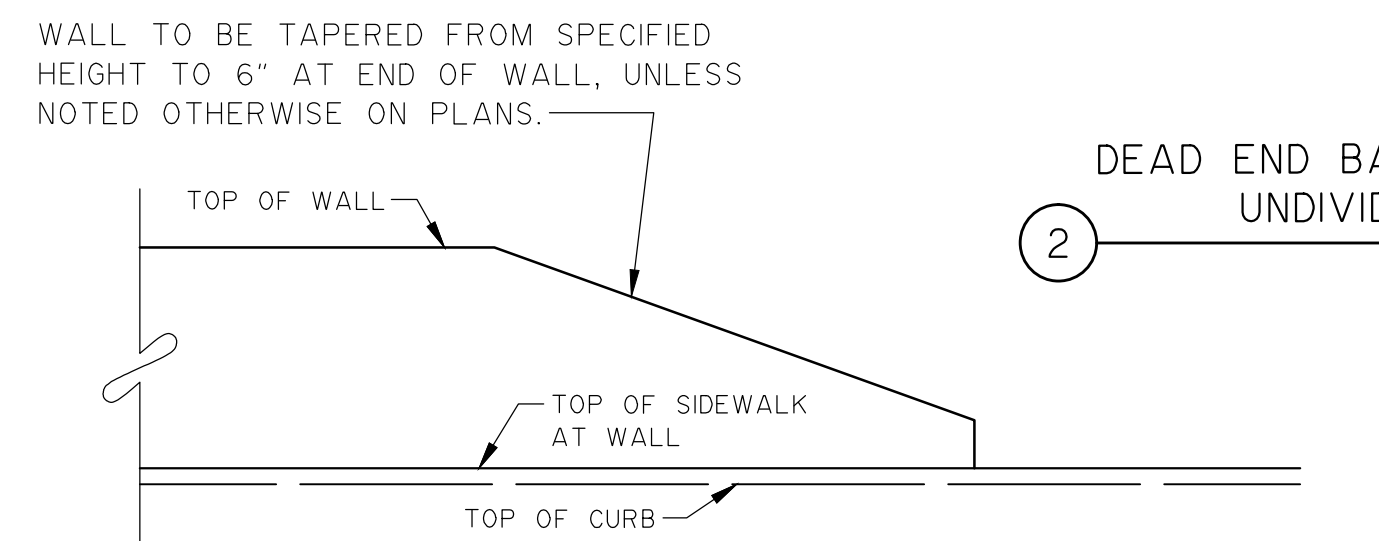


ELEVATION

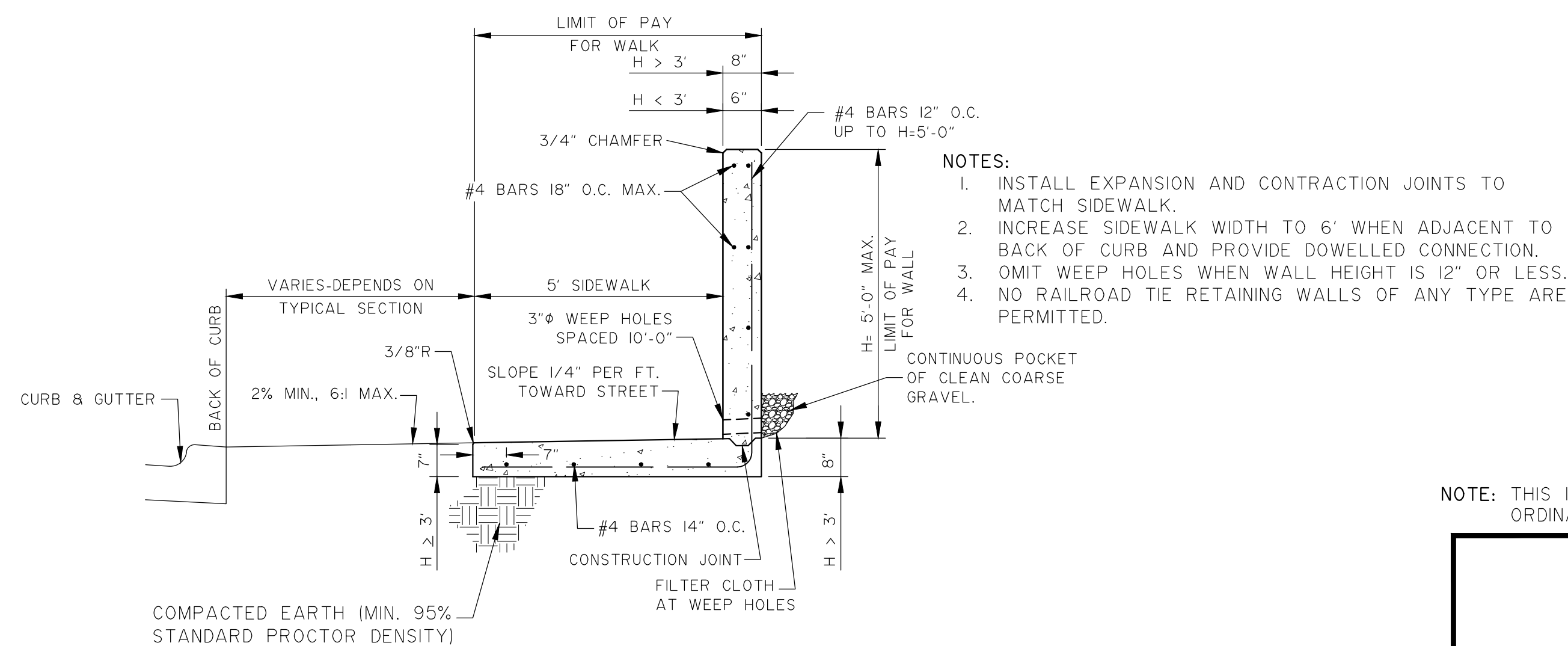


PLAN

DEAD END BARRICADE STANDARD UNDIVIDED ROADWAY
2 N.T.S.



4 TYPICAL END TREATMENT FOR TYPE "A" RETAINING WALLS
N.T.S.



NOTES:

1. INSTALL EXPANSION AND CONTRACTION JOINTS TO MATCH SIDEWALK.
2. INCREASE SIDEWALK WIDTH TO 6' WHEN ADJACENT TO BACK OF CURB AND PROVIDE DOWELLED CONNECTION.
3. OMIT WEEP HOLES WHEN WALL HEIGHT IS 12" OR LESS.
4. NO RAILROAD TIE RETAINING WALLS OF ANY TYPE ARE PERMITTED.

5 TYPE "A" RETAINING WALL
N.T.S.

NOTE: THIS IS SHT. SD-7 OF THE STANDARD CONSTRUCTION DETAILS, ORDINANCE NO. 2013-51 EFFECTIVE DATE: JANUARY 1, 2014

CITY OF MIDLOTHIAN, TEXAS DEPARTMENT OF ENGINEERING, UTILITIES, AND PUBLIC WORKS			
STANDARD CONSTRUCTION DETAILS PAVING			
BARRICADE & RETAINING WALL DETAILS			
NO:	REVISION:	DATE:	SHEET:
			SD-7

