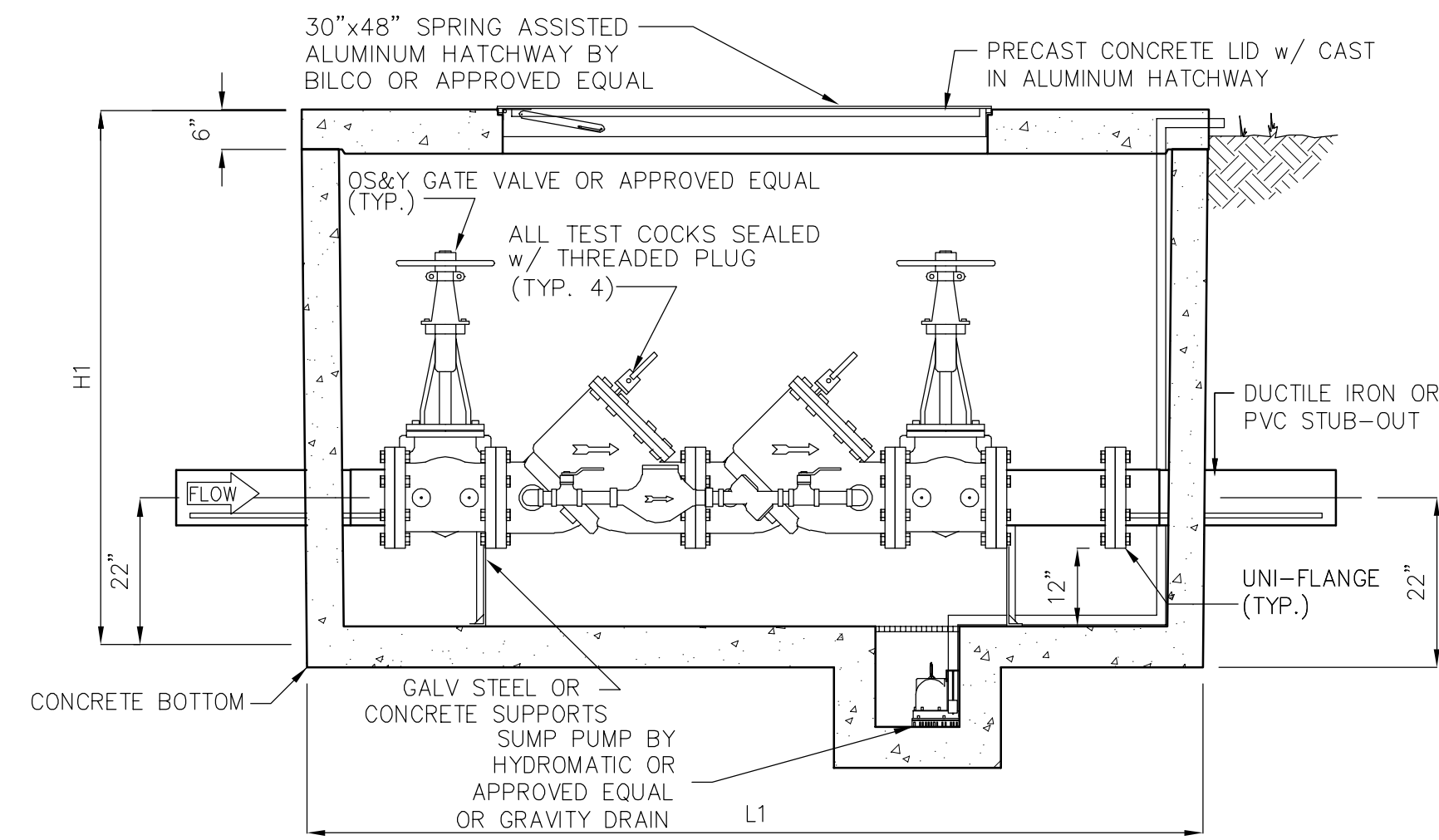


NOTES:

1. VAULT SHALL BE CONCRETE WITH DESIGN STRENGTH OF 4500 P.S.I. AT 28 DAYS. UNIT IS OF MONOLITHIC CONSTRUCTION AT FLOOR AND FIRST STAGE OF WALL WITH SECTIONAL RISER TO REQUIRED DEPTH.
2. GRADE 60 REINFORCED STEEL REBAR CONFORMING TO ASTM A615 ON REQUIRED CENTERS.
3. 1/4" ALUMINUM DIAMOND PLATE COVER, WITH 1/4" EXTRUDED ALUMINUM FRAME. HATCH TO BE FURNISHED WITH STAINLESS STEEL OR ALUMINUM HARDWARE.
4. ALL METER VAULTS SHALL HAVE SIGNAGE IN PLACE TO IDENTIFY VAULT AS A CONFINED SPACE.
5. VAULT SHALL BE WATERTIGHT.

MODEL	SIZE	L1	W1	H1	WEIGHT LBS
DDBPF-MD4	4"	7'-10"	4'-4"	6'-0"	11,000
DDBPF-MD6	6"	8'-8"	5'-0"	6'-0"	15,000
DDBPF-MD8	8"	8'-8"	5'-0"	6'-0"	15,500
DDBPF-MD10	10"	11'-0"	6'-0"	7'-0"	22,000



ELEVATION

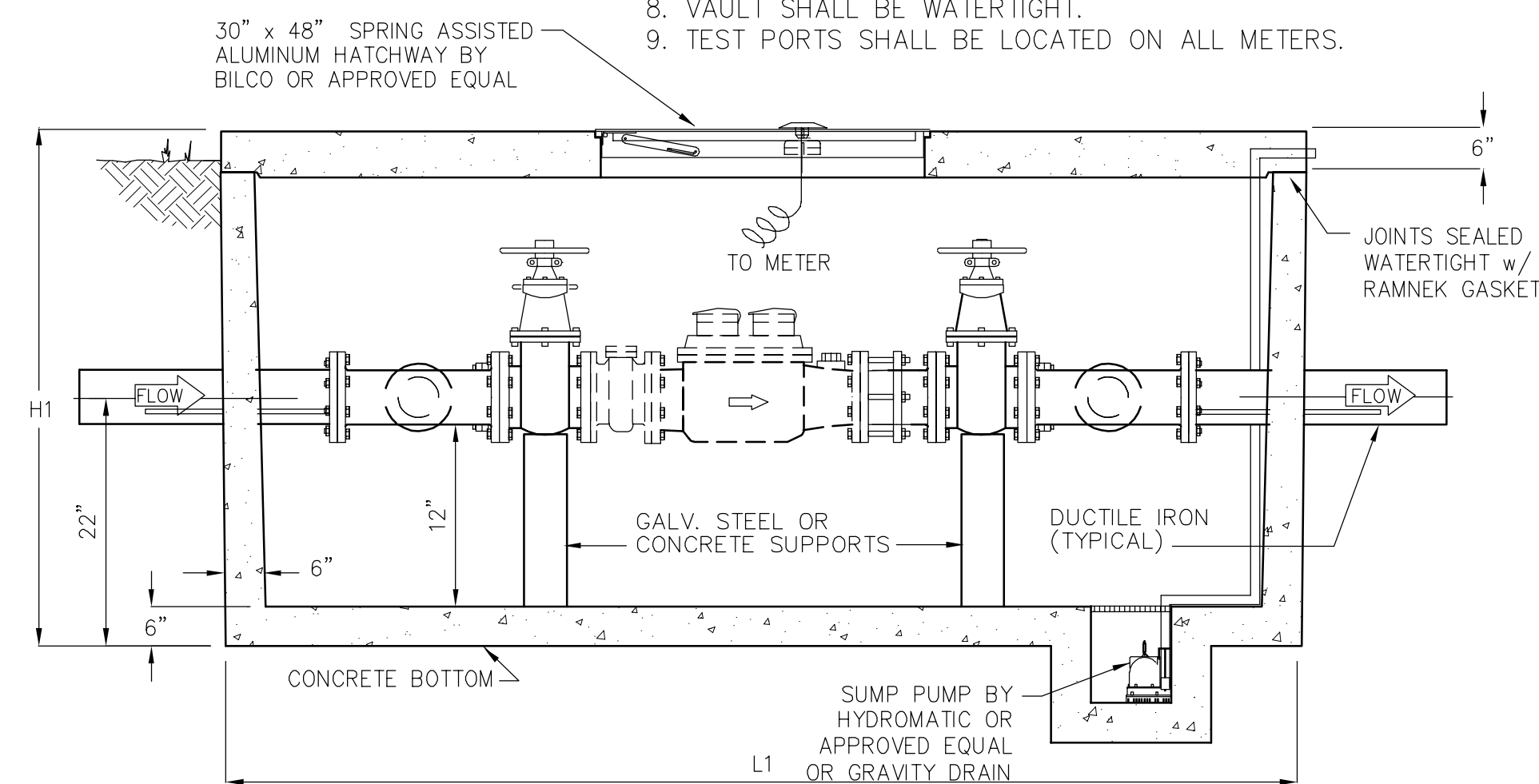
4" THRU 10" DOUBLE DETECTOR BACKFLOW PREVENTER FOR FIRE SERVICE

FIRE SERVICE GENERAL NOTE

ALL DOUBLE CHECKS AND FIRE LINES SHALL BE INSPECTED BY A CERTIFIED THIRD PARTY AND PASSED BEFORE MAIN LINE IS OPENED FOR SUPPLY.

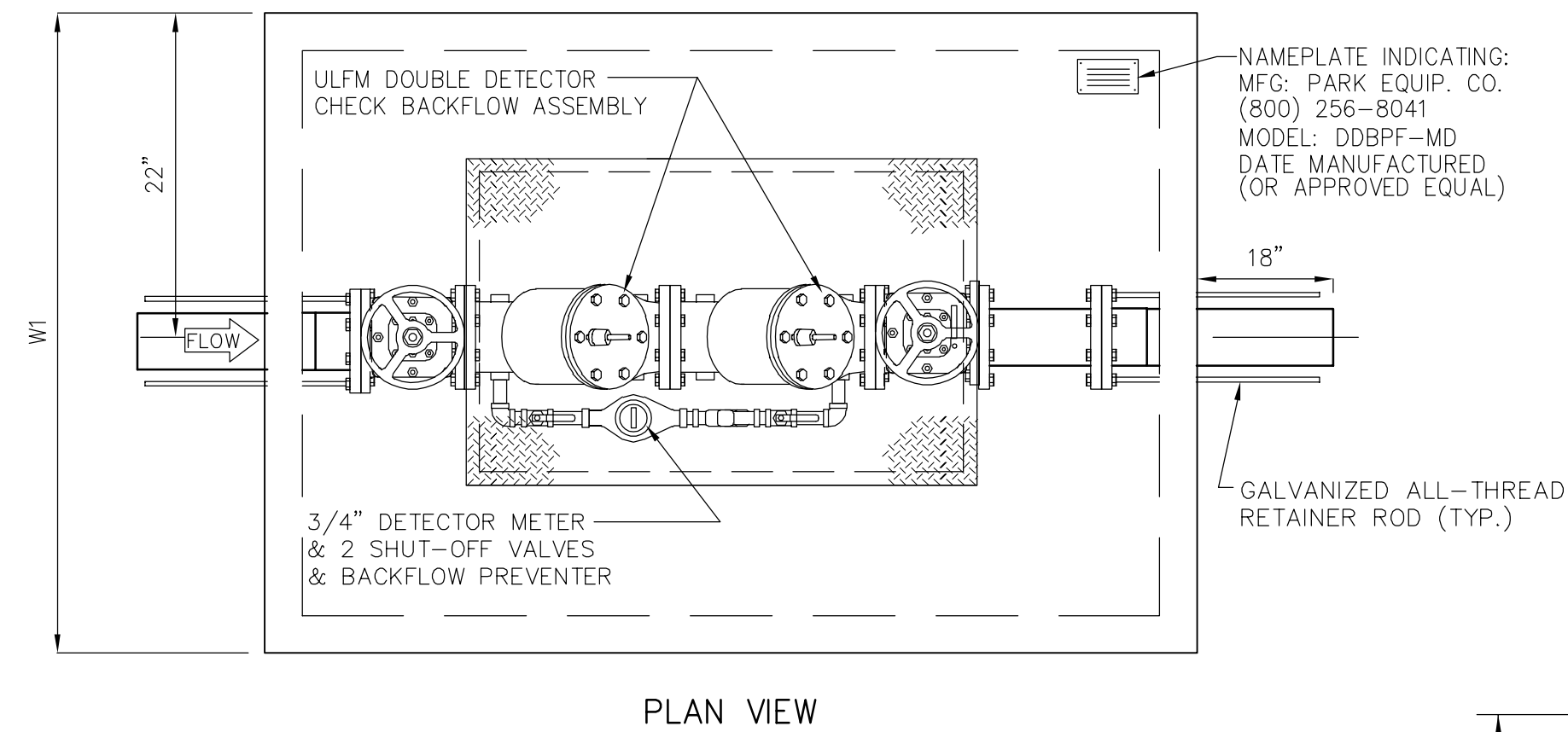
NOTES:

1. VAULT SHALL BE CONCRETE WITH DESIGN STRENGTH OF 4500 P.S.I. AT 28 DAYS. UNIT IS OF MONOLITHIC CONSTRUCTION AT FLOOR AND FIRST STAGE OF WALL WITH SECTIONAL RISER TO REQUIRED DEPTH.
2. GRADE 60 REINFORCED STEEL REBAR CONFORMING TO ASTM A615 ON REQUIRED CENTERS.
3. HINGED 1/4" ALUMINUM DIAMOND PLATE COVER, WITH 1/4" EXTRUDED ALUMINUM FRAME. HATCH TO BE FURNISHED WITH STAINLESS STEEL OR ALUMINUM HARDWARE.
4. FIRE STRAINER REQUIRED IF UTILIZED FOR FIRE FLOW PURPOSES.
5. CONTRACTOR SHALL OBTAIN METERS FROM CITY OF MIDLOTHIAN AT THE CONTRACTOR'S EXPENSE.
6. CONTRACTOR SHALL USE CITY OF MIDLOTHIAN APPROVED NEPTUNE WATER METER.
7. ALL METER VAULTS SHALL HAVE SIGNAGE IN PLACE TO IDENTIFY VAULT AS A CONFINED SPACE.
8. VAULT SHALL BE WATERTIGHT.
9. TEST PORTS SHALL BE LOCATED ON ALL METERS.

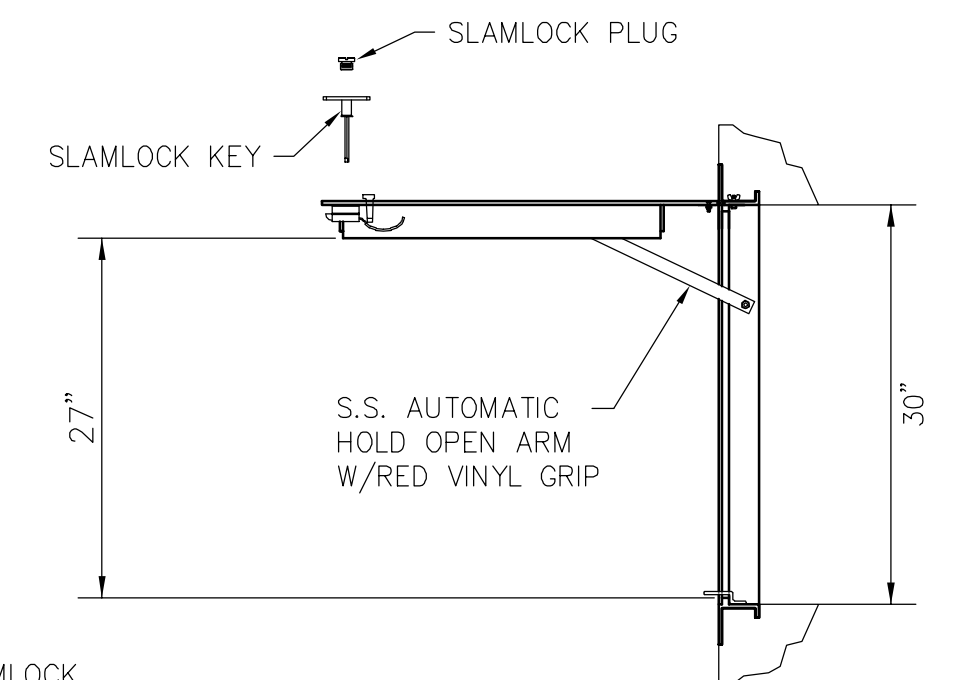
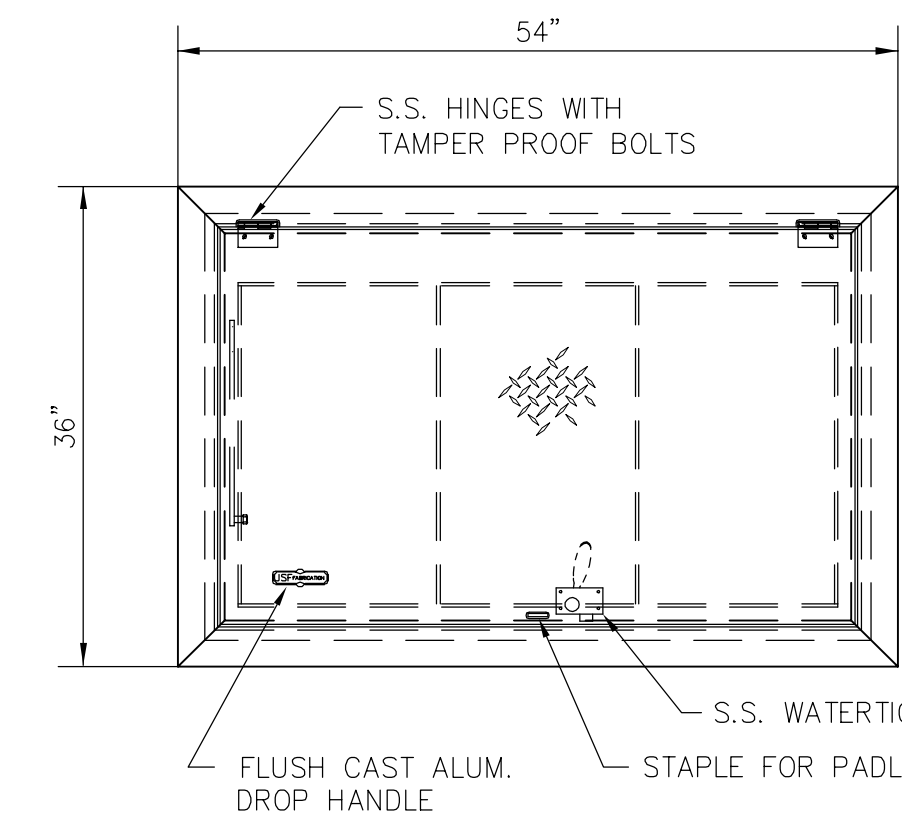


ELEVATION

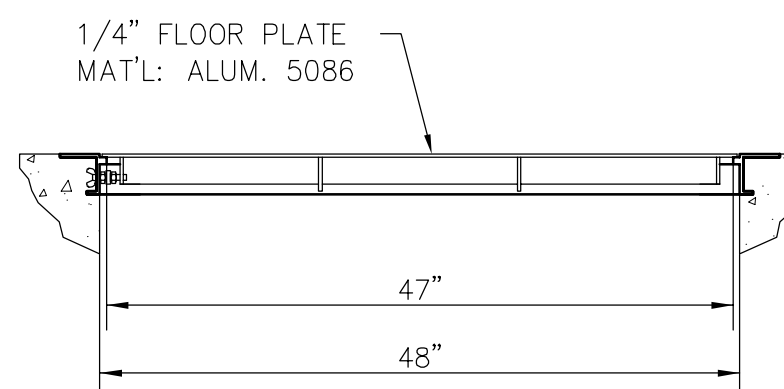
3" THRU 6" DOMESTIC COMPOUND WATER METER ASSEMBLY



PLAN VIEW

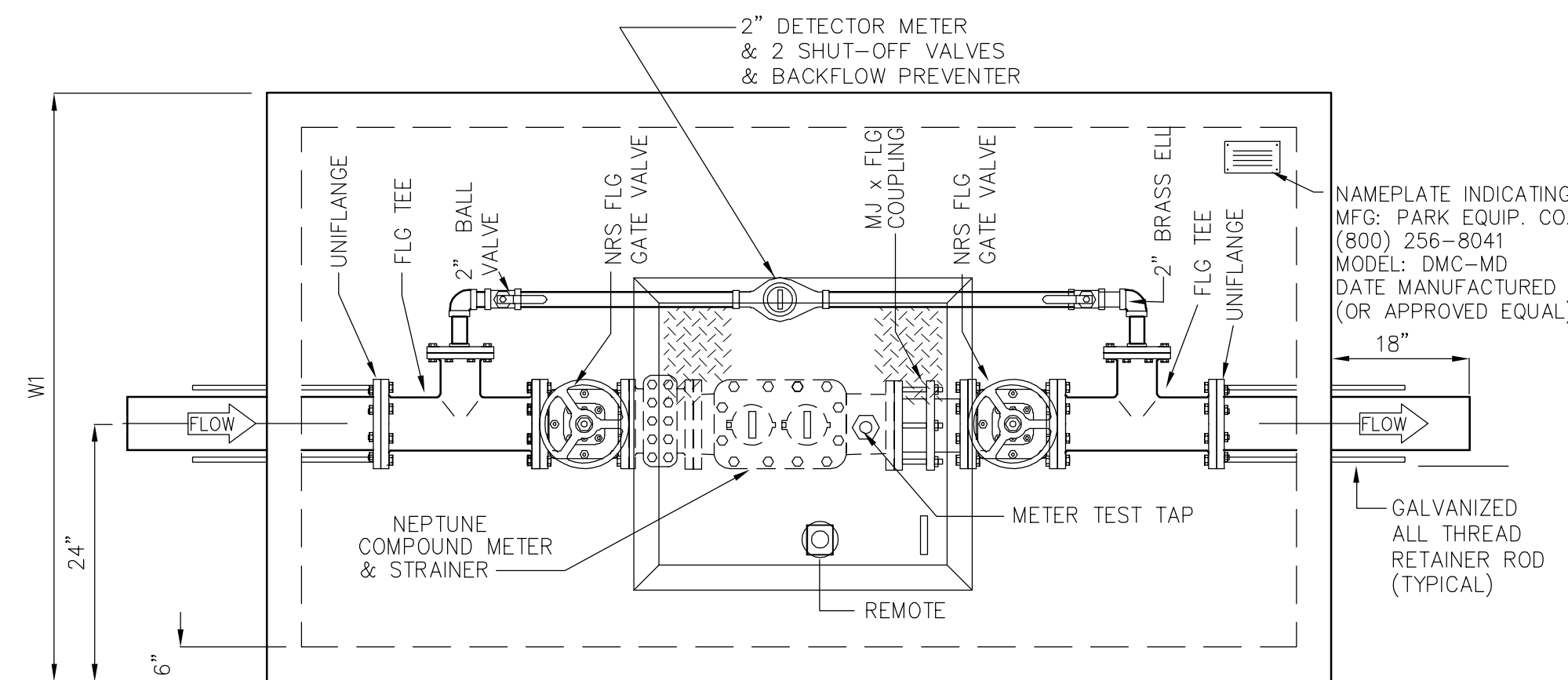


FRAME DETAIL



ALUMINUM SINGLE LEAF HATCHWAY

DIMENSIONS						
MODEL	SIZE	BY PASS	L1	W1	H1	WEIGHT LBS
DMC-MD3	3"	2"	8'-8"	5'-0"	4'-6"	14,000
DMC-MD4	4"	2"	8'-8"	5'-0"	4'-6"	14,500
DMC-MD6	6"	4"	11'-0"	6'-0"	4'-6"	22,000



PLAN VIEW

NOTE: THIS IS SHT. SD-15 OF THE STANDARD CONSTRUCTION DETAILS, ORDINANCE NO. 2013-51. EFFECTIVE DATE: JANUARY 1, 2014 REV. 1 - ORDINANCE NO. 2018-16

**CITY OF MIDLOTHIAN, TEXAS
DEPARTMENT OF ENGINEERING,
UTILITIES, AND PUBLIC WORKS**

**STANDARD CONSTRUCTION DETAILS
WATER UTILITIES**

**DETECTOR CHECK, METER, &
ALUMINUM HATCH DETAILS**

NO:	REVISION:	DATE:	SHEET:
			SD-19

