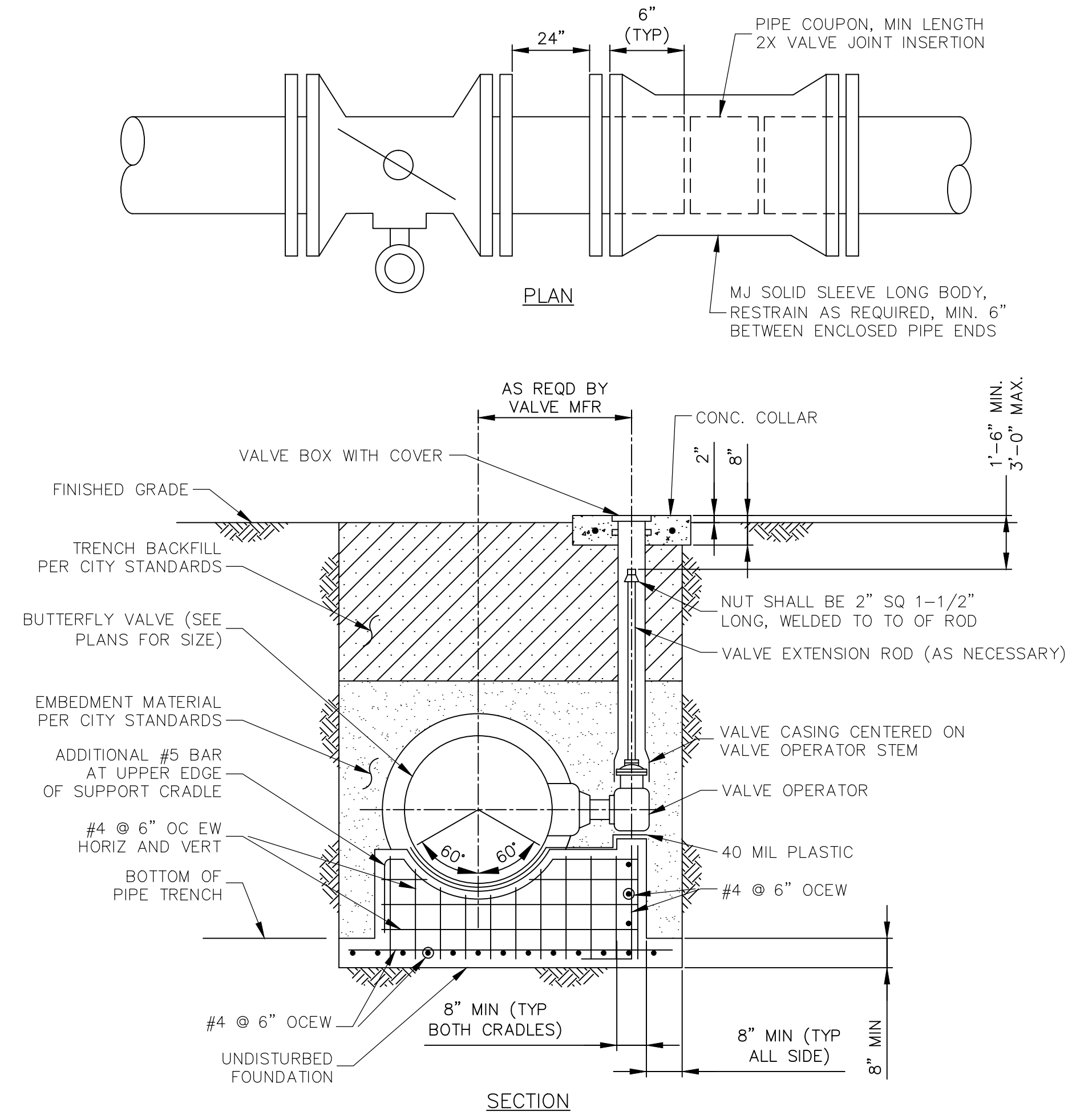


- NOTES:
1. FOR APPLICATIONS IN ROCK SUBGRADE ONLY.
 2. ALL OPERATING NUTS SHALL BE EXTENDED TO WITHIN 6" OF FINAL GRADE.
 3. BYPASS MAY BE REQUIRED BY CITY ON SPECIFIC PROJECTS

1 DIRECT BURIED BUTTERFLY VALVE (ROCK)
N.T.S.



- NOTES:
1. RESTRAIN ALL PIPE JOINTS ON BURIED BUTTERFLY VALVES.

2 DIRECT BURIED BUTTERFLY VALVE (NON-ROCK)
N.T.S.

NOTE: THIS IS SHT. SD-21 OF THE STANDARD CONSTRUCTION DETAILS, ORDINANCE NO. 2013-51 EFFECTIVE DATE: JANUARY 1, 2014

CITY OF MIDLOTHIAN, TEXAS DEPARTMENT OF ENGINEERING, UTILITIES, AND PUBLIC WORKS			
STANDARD CONSTRUCTION DETAILS WATER UTILITIES			
BUTTERFLY VALVE DETAILS			
NO:	REVISION:	DATE:	SHEET:
			SD-21

